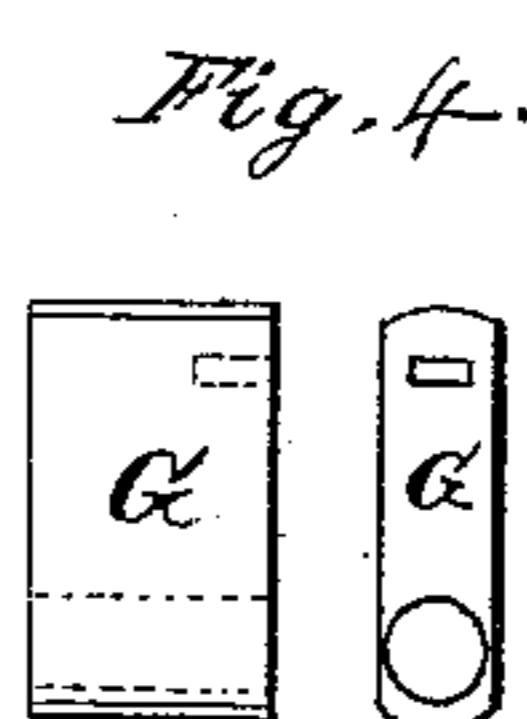
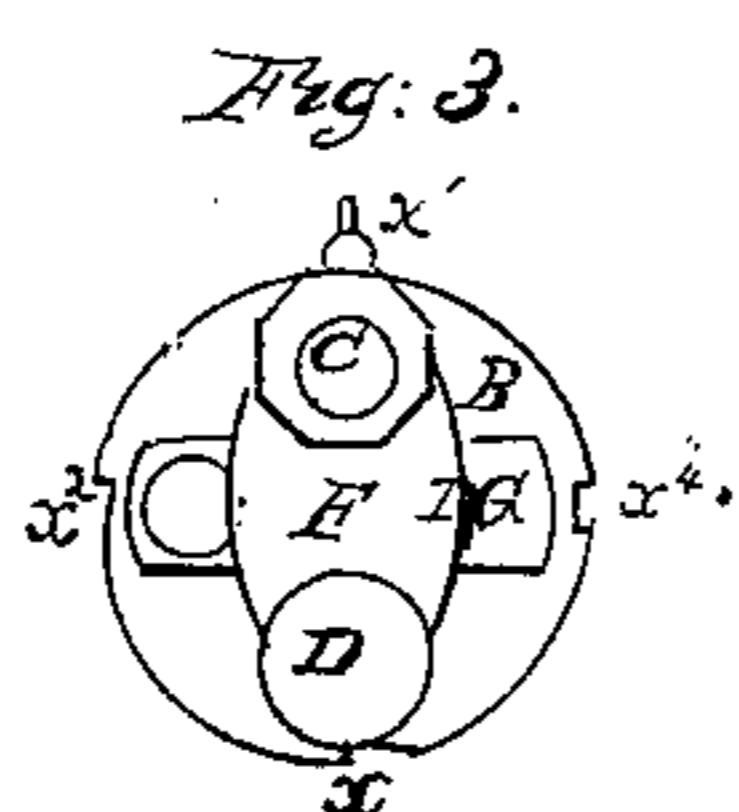
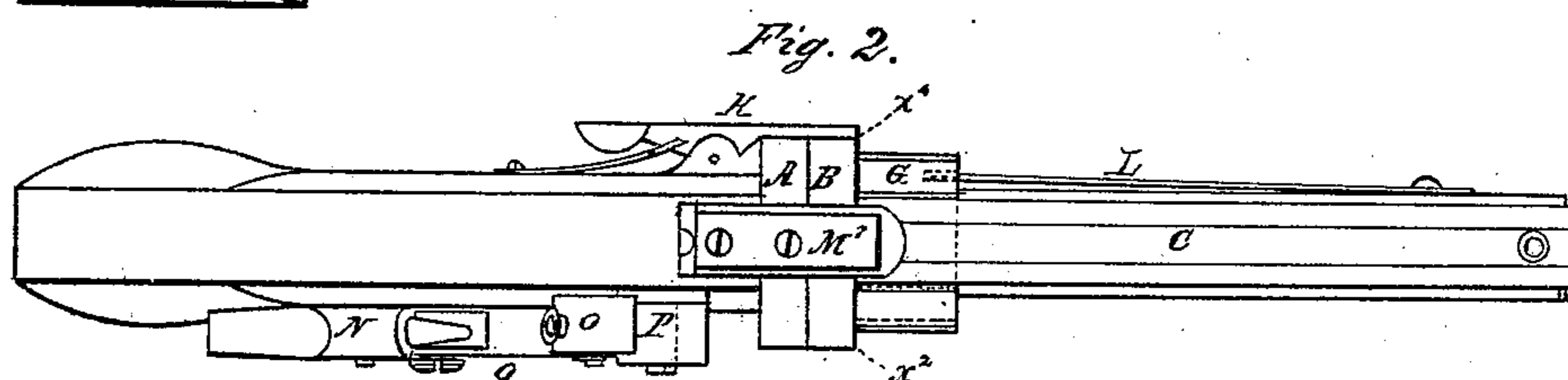
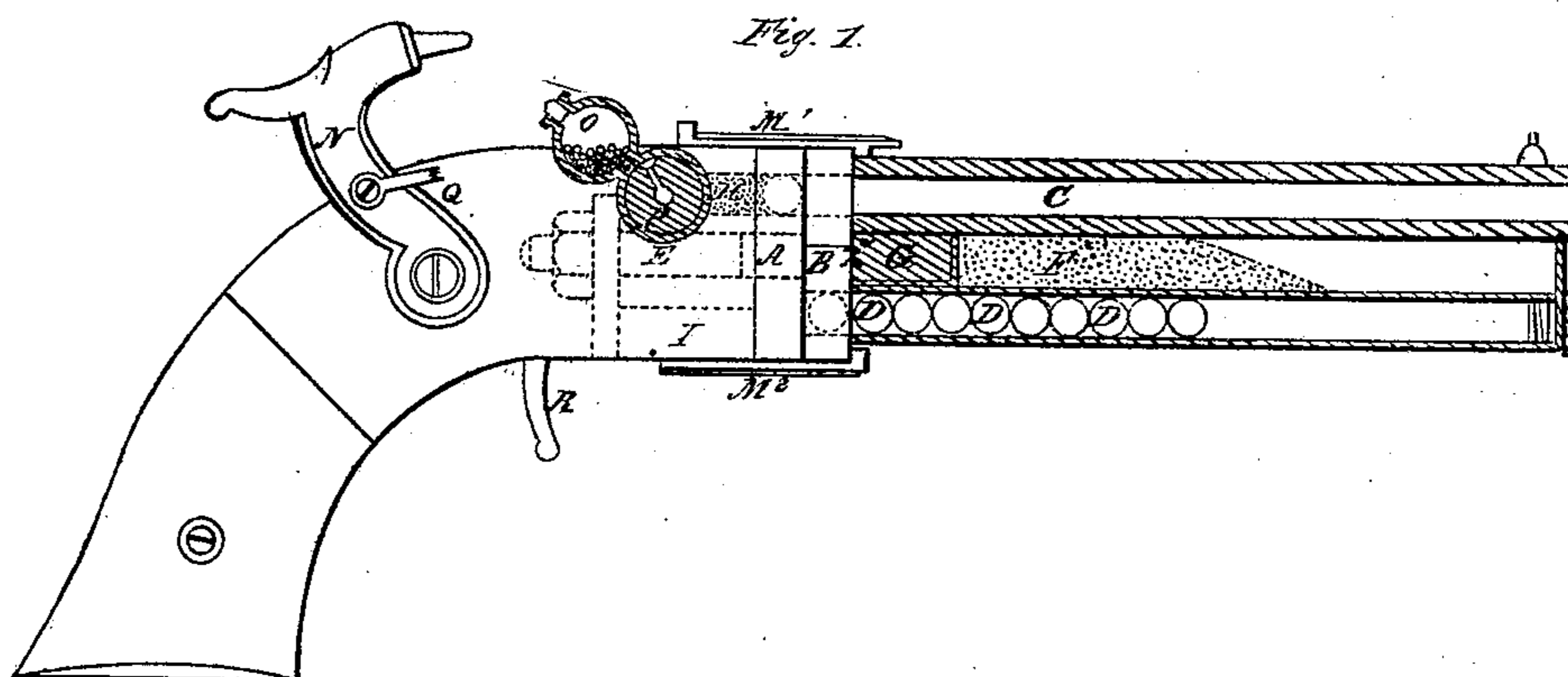


P. BOYNTON.
Magazine Fire-Arm.

No. 26,646.

Patented Jan. 3, 1860.



Witnesses

James G. Fines
Wm. B. Cooke

Inventor:

Paul Boynton

UNITED STATES PATENT OFFICE.

PAUL BOYNTON, OF CANTON, NEW YORK.

IMPROVEMENT IN MAGAZINE FIRE-ARMS.

Specification forming part of Letters Patent No. 26,646, dated January 3, 1860.

To all whom it may concern:

Be it known that I, PAUL BOYNTON, of the town of Canton, St. Lawrence county, State of New York, have invented certain new and useful Improvements in Fire-Arms; and I do hereby declare that the following is a full, clear, and exact description of the same, reference being had to the accompanying drawings, forming part of this specification, in which—

Figure 1 is a side view of a pistol, with the primer, magazines, and barrel in section. Fig. 2 is top view of the same. Fig. 3 is an end view of the barrel and magazines. Fig. 4 is a top and side view of the charger.

Similar letters of reference indicate corresponding parts in the several figures.

The invention consists in certain means of providing for the loading of fire-arms at the breech with loose powder and ball from magazines under and attached to the barrel, whereby the operations of firing and reloading may be repeated very rapidly and with perfect safety.

To enable others to make and use my invention, I will proceed to describe its construction and operation, by supposing a rifle or pistol barrel to be cut in two above the breech-pin far enough to leave sufficient room for a charge of powder and ball, and their ends inserted into cams or wheels A B a little more than twice the diameter of the barrel, and, about half-way from the center of the cam to the outside, having a bolt or pin, E, firmly screwed into the cam B, and running through the center of the cam A *a* to the end of the barrel or breech-pin, where it is secured by a nut, which will keep the two cams as tight together as may be required to form a swivel-joint; or when the pistol is small, or nearly as small, as the model, this bolt may merely pass through the cam A *a*, and act as a pivot only, the joint being sufficiently secured by hasps M¹ M² over and under the joint. This joint is fastened by a latch and spring on the left-hand side or underneath, and may be readily and handily raised with the thumb of the right hand. Next insert a tube, D, having a bore large enough to admit a ball that will slug in the barrel and roll down freely into the tube, into the opposite side from the barrel of the center of the cam B, of nearly or

quite the length of the barrel, which leaves a space between the barrel and the tube of nearly the diameter of the tube.

G is a sliding charger, placed at the base and between the barrel and tube, having a hole corresponding to the size of the bore of the barrel, and likewise to the hole at the base of the powder-magazine, and also to an outlet in the cam B into the chamber H.

L is a small steel spring, to force the charger back after it has been pressed into the socket to be filled with powder from the magazine.

Two plates of metal, attached to the barrel and tube, and reaching from one to the other, as well as to the charger G, comprise a magazine for the powder, which will hold as many charges, and more, if desired, as the tube will hold balls; and a four-inch tube will hold at least twelve balls.

A plate covering the upper end of the magazine and tube, with a stopper to screw into the end of the tube, finishes the description of the pistol or rifle from the muzzle to the cam B.

Cam A is attached to the chamber H by brazing or by screw. I is also attached to cam A, for the purpose of securing and forming a part of the breech.

The primer may be the same as the one attached to the model, O, to use pill percussion-powder, or any of the patent self-acting primers of the day.

To load the fire-arm: after having filled the magazines F and D with powder and ball, respectively, grasp the breech with the right hand, having the thumb on the latch K; grasp the barrel and magazine, having one finger on the charger G, holding the weapon with muzzle up; press the charger into the socket until it fills with powder from the magazine; then let it be borne back by the spring; then press with the thumb or one of the fingers of the right hand on the latch K, so as to unlatch the joint. Turn the breech to the right, and at a fourth part of a revolution the powder in the charger is deposited in the chamber. At another quarter-revolution the ball from the tube D will drop into the chamber on the top of the powder. Then return it to its place by a backward movement or by an entire revolution, and the pistol or rifle is loaded.

I do not broadly claim as my invention load-

ing a fire-arm from magazines attached to the piece; but

What I do claim as my invention, and desire to secure by Letters Patent, is—

1. The sliding charger G, when used for the purpose and in the manner substantially as specified.

2. I also claim the method of loading by revolving the barrel and magazines, substantially as described in these specifications.

3. I also claim the method of loading by means of the charger G and the magazines F and D, in combination, substantially as described and set forth in these specifications.

PAUL BOYNTON.

Witnesses:

W. C. COOKE,
JOSEPH BARNES.